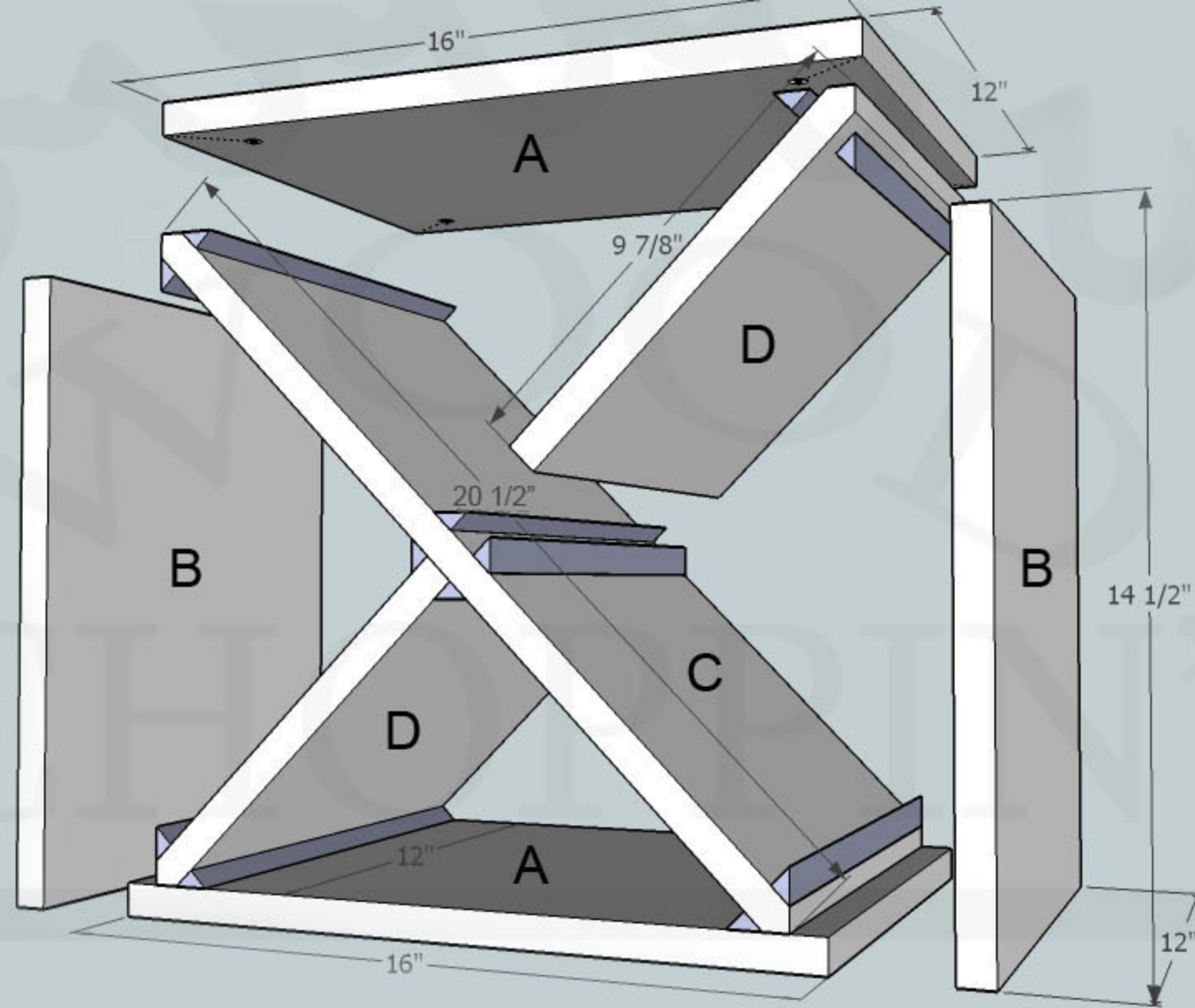


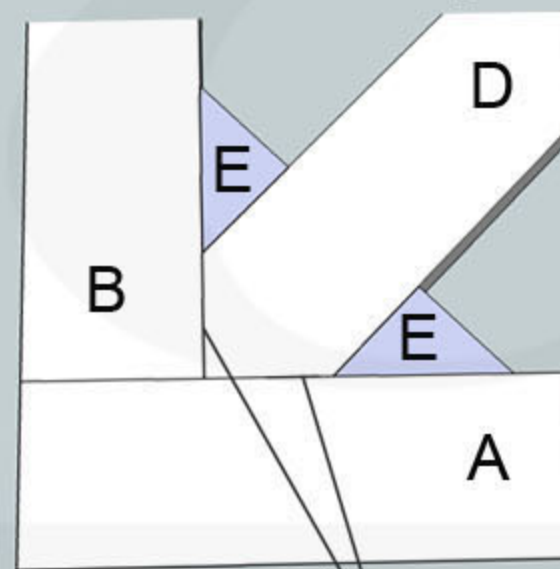
Modular Winerack



Cut List

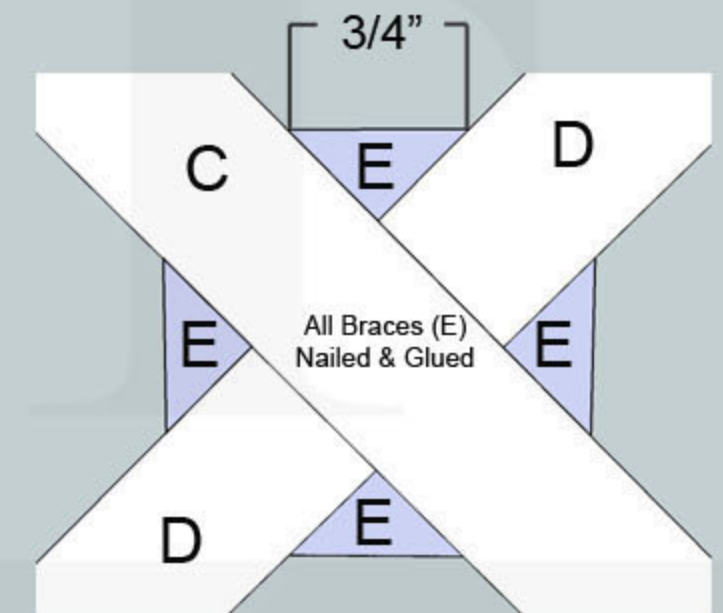
- (A) Caps - 3/4" x 16" x 12" (2)
- (B) Sides - 3/4" x 14.5" x 12" (2)
- (C) Cross Member - 3/4" x 20.5" x 12" (1)
- (D) Cross Member 3/4" x 9 7/8" x 12" (2)
- (E) Braces 12" x 3/4" (12)

Corner Assembly

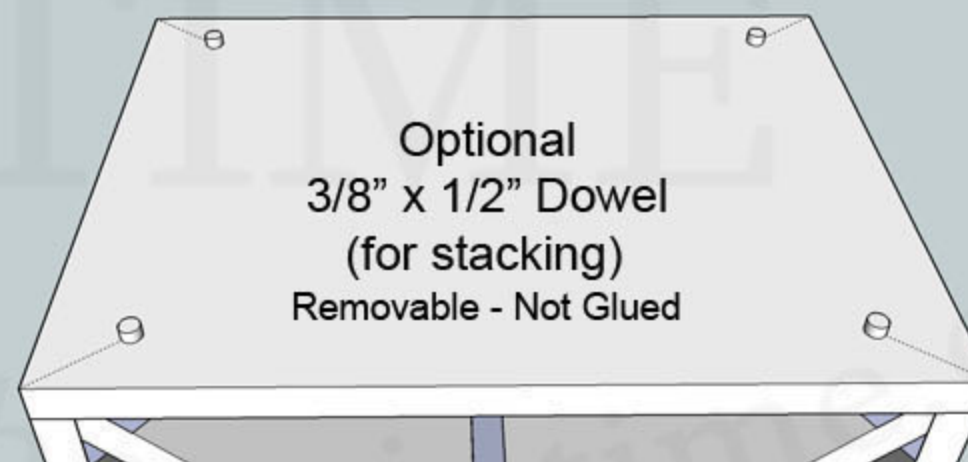


45 Degrees

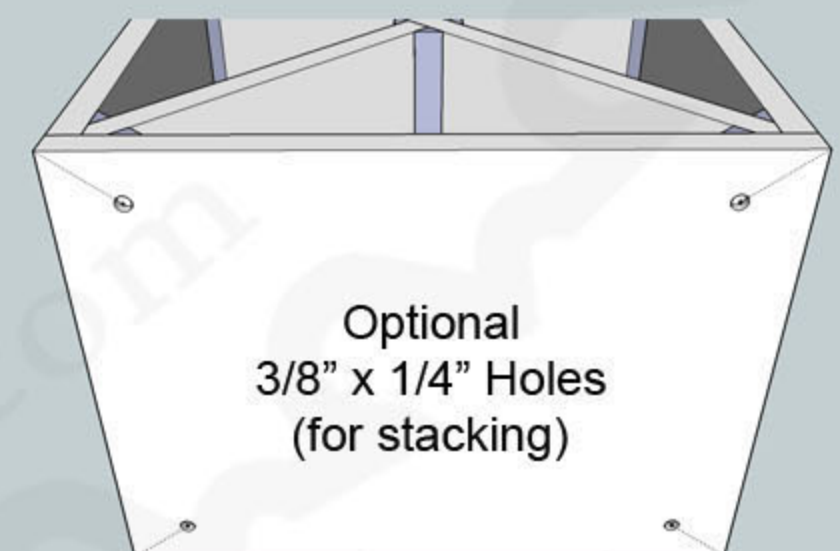
Center Assembly



All Braces (E)
Nailed & Glued



Optional
3/8" x 1/2" Dowel
(for stacking)
Removable - Not Glued



Optional
3/8" x 1/4" Holes
(for stacking)