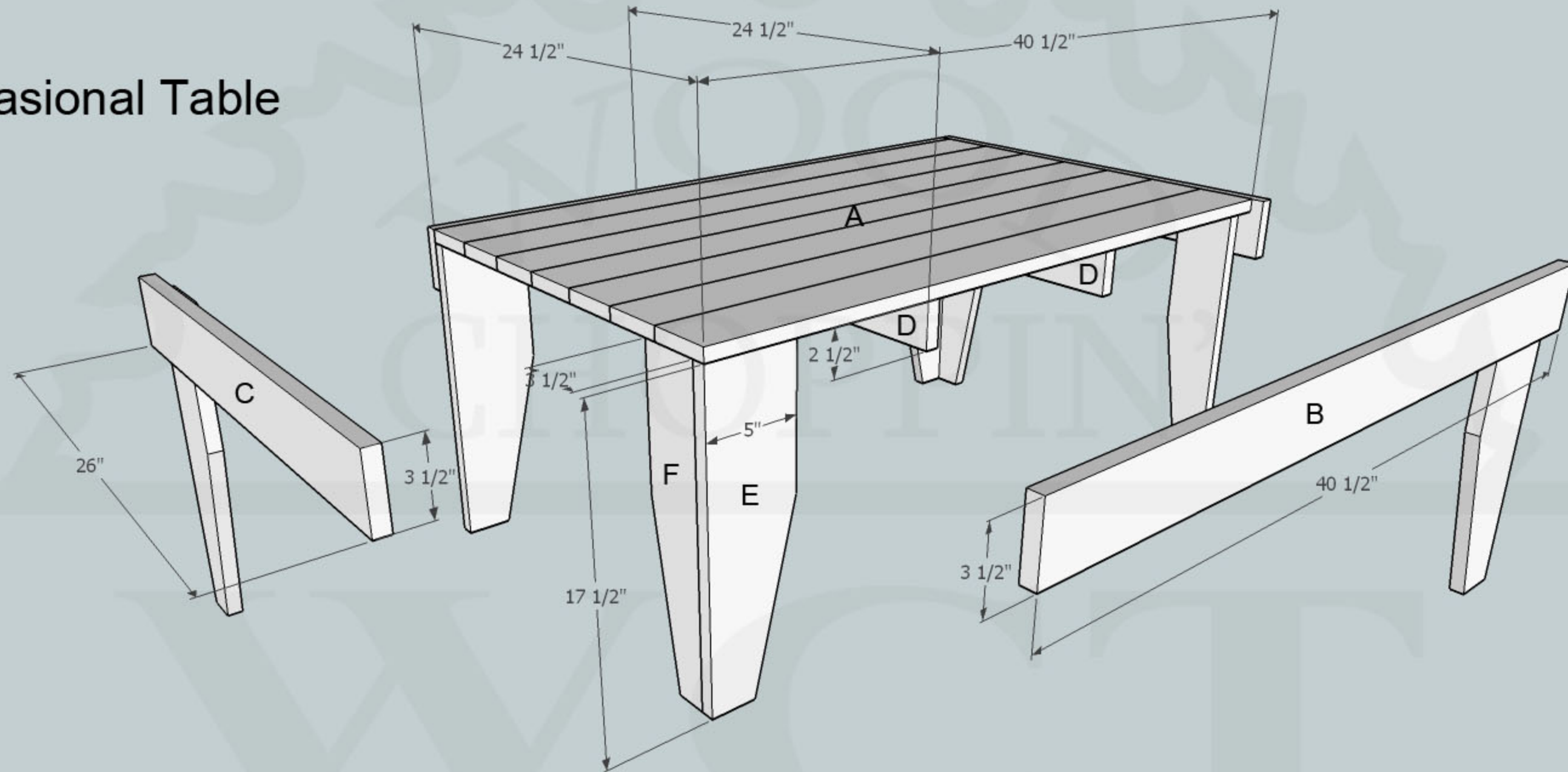


Occasional Table



- ### Cut List
- (A) Slats - 3/4 x 3.5" x 40.5" (7X)
 - (B) Side Aprons - 3/4 x 3.5" x 40.5 (2X)
 - (C) End Aprons = 3/4 x 3.5" x 26" (2X)
 - (D) Stringers - 3/4 x 2.5" x 24.5" (2X)
 - (E) Wide Legs - 3/4 x 5" x 17.5" (4X)
 - (F) Narrow Legs - 3/4 x 3.5" x 17.5" (4X)

