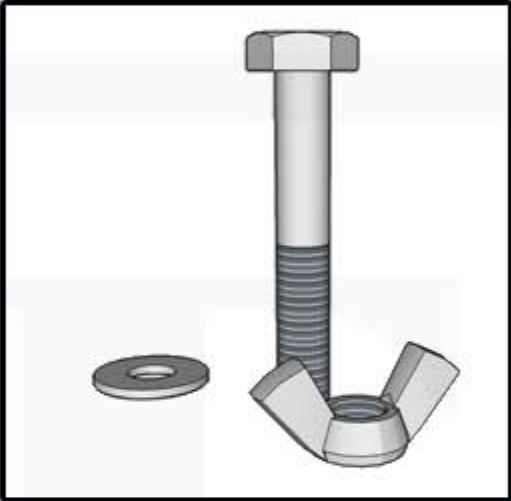
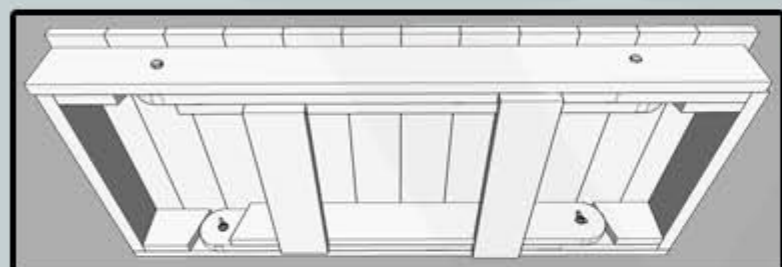
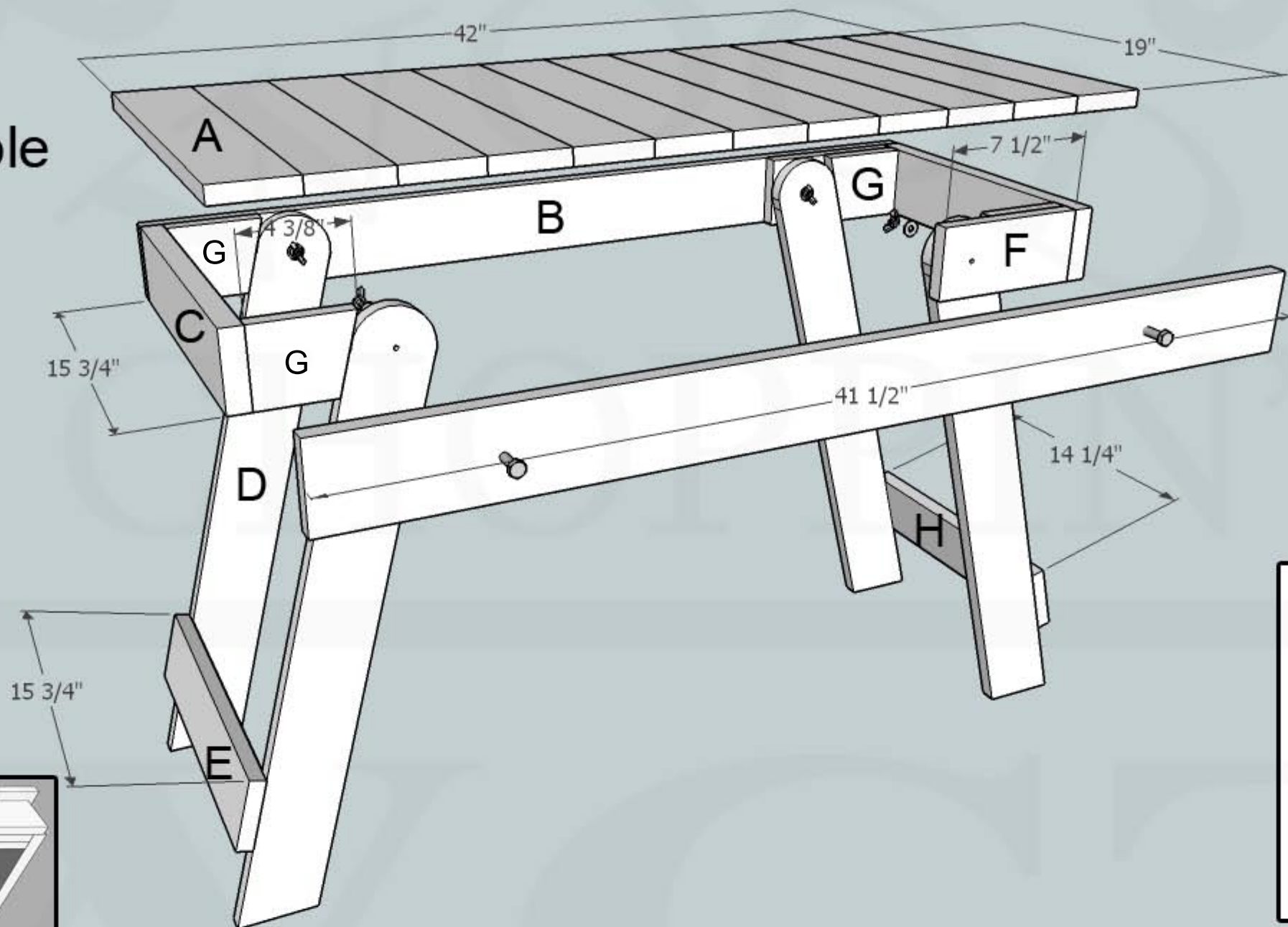


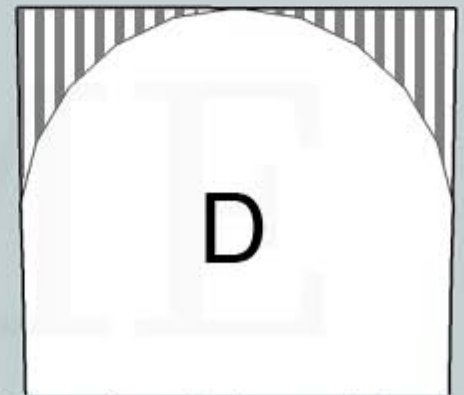
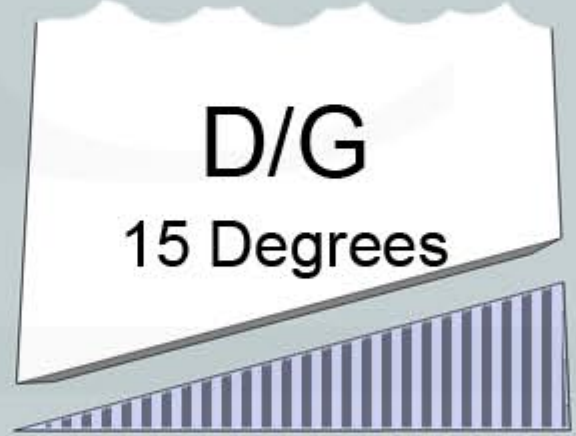
Folding Utility Table



Carriage Bolts are used to secure and release the legs.

CUT LIST

A	Top Slat - 3/4" x 3.5" x 19" (12)
B	Long Side - 3/4" x 3.5" x 41.5" (2)
C	Short Side - 3/4" x 3.5" x 15 3/4" (2)
D	Leg - 3/4" x 3.5" x 28 3/4" (4)
E	Long Leg Stretcher - 3/4" x 3.5" x 15 3/4" (1)
F	Leg Spacer - 3/4" x 3.5" x 7.5" (2)
G	Stop Block - 3/4" x 3.5" x 4 3/8" (4)
H	Short Leg Stretcher - 3/4" x 3.5" x 14 1/4" (1)



Stack at least two legs together and round



Note: A Handle can be added to Part B to allow for ease of transportation.